

Manual Sliding Doors

OWNER'S MANUAL

Distributed by:



Contents	
Section	Page
Caution	2
To Our Customers	3
Service Availability	3
Daily Safety Check	4
General Maintenance	4
Emergency Breakout – GT2100	5
Emergency Breakout – GT2125	6
Emergency Breakout – GT2150	7
Limited Warranty	8



CAUTION

An Improperly Adjusted Door can cause injury and/or equipment damage.

Inspect door operation periodically using the checklist in this owner's manual.

Have door adjusted as described in this owner's manual.

In the following manual, the word:

Caution means that injury or property damage can result from failure to follow instructions.

Note is used to indicate important steps to be followed or important differences in equipment.

To Our Customers

The purpose of this manual is to familiarize you with your door system. It is essential that you "know your system" and that you recognize the importance of maintaining your door system per the manufacturer's recommendations.

It is your responsibility, as owner or caretaker of the equipment, to inspect the operation of your door system periodically to ensure that it is safe for use by your employees or customers.

This manual will provide you with a description of the operation and maintenance requirements of your door. It also provides the instructions for the *Periodic Door Systems Check*.

Should the door fail to operate as prescribed in the *Periodic Door Systems Check*, or at any other time for any other reason, contact your service provider. These technicians are trained to service your door in accordance with the manufacturer's specifications.

Service Availability

NABCO products are distributed through a nationwide network of authorized suppliers for sales, installation, and service.

Should you need service on your door system contact:
NABCO Entrances Inc. @ 1-877-622-2694 or find a NABCO authorized representative in your area by visiting <http://www.nabcoentrances.com/locator/default7.aspx>

Periodic Door Systems Check

- a) Sweep out floor tracks (if equipped)
- b) Check that nothing is in the door path or preventing panic breakout
- c) Check glass for cracks or damage and that glass stops are secure
- d) Check motion of door - it should slide freely
- e) Check for loose latch handles, push bars or cart bars (if equipped)
- f) Flush bolts and door latches should operate smoothly
- g) Check for damaged or missing smoke seals and brushes (if equipped)
- h) Make sure that overhead covers are properly secured

General Maintenance

The following are suggested maintenance items performed by your service provider: (**Note:** Refer to the installation manual for adjustment details)

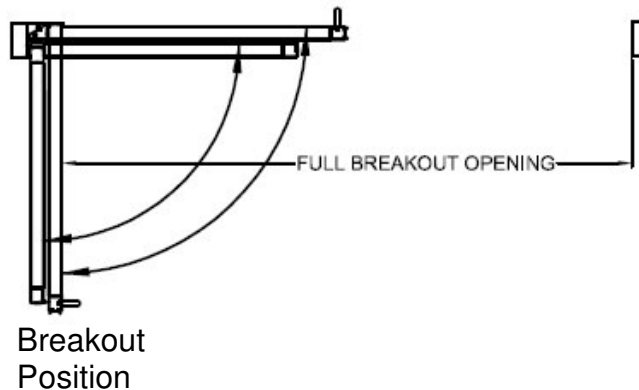
- a) Clean track in header and adjust top rollers as required
- b) Clean floor tracks and adjust bottom guide rollers as required
- c) Check breakout mechanism periodically (if equipped). On GT2100's in breakout position check for loose door stops and position of bottom door guide pin in relation to the floor pivot plate assembly. The bottom door pivot pin must be fully recessed into the floor pivot assembly prior to breakout. **Note:** A properly adjusted GT2100 (with the door in the full slid open position) will be resting against the stop bumper in the header bottom pivot pin is fully engaged in the base pivot assembly on the floor.
- d) Check thresholds, floor pivot assemblies and any brackets are securely fastened. Tighten if required.
- e) Adjust breakout catches, flush bolts and positive latches (if equipped). Lubricate as necessary.
- f) Check and adjust door and panel clearances as required. Generally a door in the breakout position should not come in contact with the floor. Adjust pre-load mechanism to prevent door sag. When necessary (due to weight or special application) a nose caster will be included for smooth operation. **Note:** Refer to installation manual for proper clearances.

Emergency Breakout Door Operation

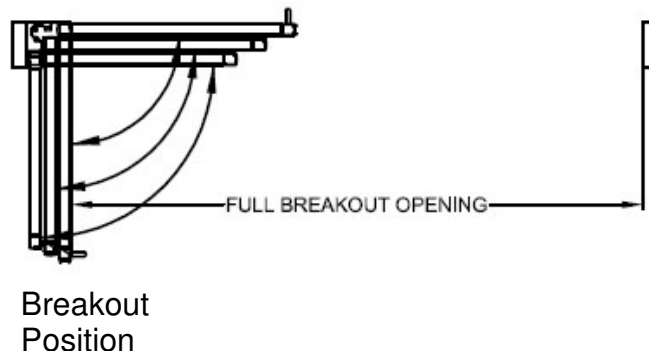
Your installer or service provider should demonstrate these important features. If door(s) are equipped with positive latches to prevent sliding you must disengage prior to attempting breakout from the full closed position. During breakout keep fingers clear of pinch points between the door(s) and panel.

GT2100 Full breakout trackless: (1) Move the door(s) to the full open slide position as shown below then (2) release the flush bolt on the leading edge of the stationary sidelite and while keeping some pressure against the door to prevent sliding (3) push all the panels in the direction of breakout. The panels are all interconnected and breakout together. **Note:** Failure to release the flush bolt or pushing on the doors prior to reaching the full slide open position will damage the door hardware. On units equipped with a ball catch mechanism in place of the flush bolt you must still move the door(s) to the full slide open position before attempting breakout.

2-Panel Single L/H Unit



3-Panel Telescopic Single L/H Unit

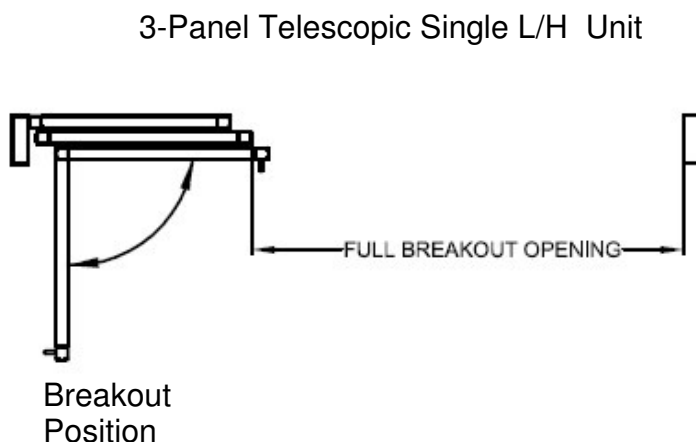
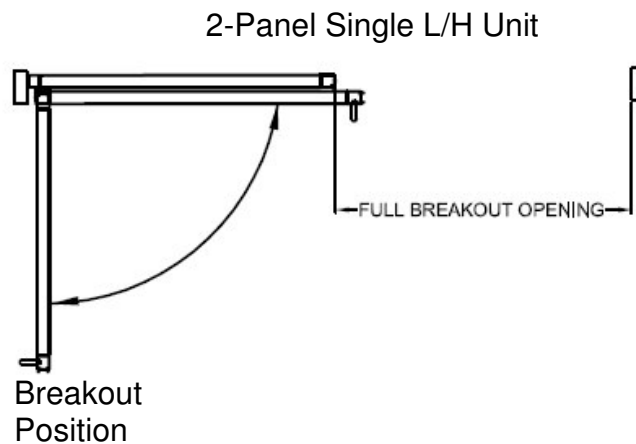


To reset from breakout position to sliding position (1) push all panels back in-line with the carrier mechanism snapping them in place and then (2) re-latch the flush bolt.

Emergency Breakout Door Operation

Your installer or service provider should demonstrate these important features. If door(s) are equipped with positive latches to prevent sliding you must disengage prior to attempting breakout from the full closed position.

GT2125 Fixed sidelite trackless: The door may be pushed into breakout position at any point in the doors slide travel. For a telescopic unit only the lead door will have this feature. The intermediate door only slides and the adjacent sidelite is fixed and has no movement. For maximum breakout opening slide the door(s) to the full open position prior to breakout.



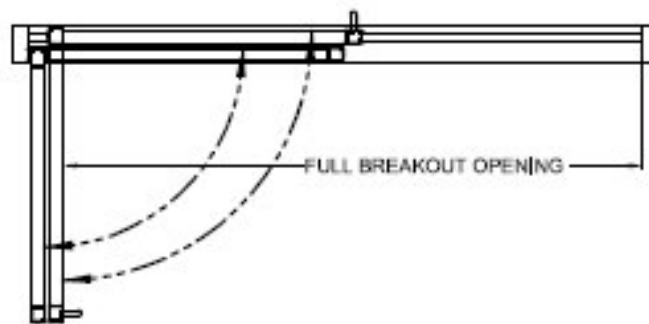
To reset from breakout position to sliding position push the door(s) back in-line with the carrier mechanism snapping it into place.

Emergency Breakout Door Operation

Your installer or service provider should demonstrate these important features. If door(s) are equipped with positive latches to prevent sliding you must disengage prior to attempting breakout from the full closed position.

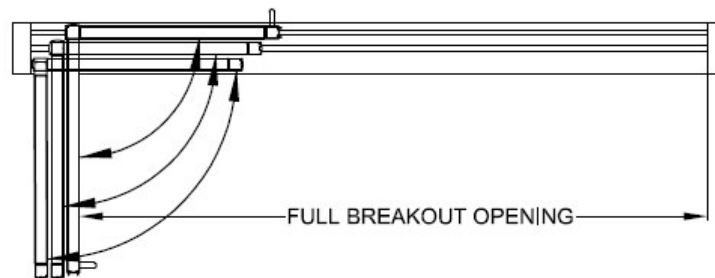
GT2150 Full breakout with floor track: The door(s) and sidelite may be pushed to swing out at any point in the door(s) slide travel. For maximum breakout opening first slide the doors to the full open position prior to breakout.

2-Panel Single L/H Unit (shown with recessed floor track)



Breakout
Position

3-Panel Telescopic Single L/H Unit (shown with recessed floor track)



Breakout
Position

To reset from breakout position to sliding position push all panels back in-line with the carrier mechanism snapping them in place.

Standard Limited Warranty

NABCO Entrances Inc., for its Gyro-Tech product line, provides to its purchasing distributor a limited warranty on the equipment supplied by NABCO Entrances Inc. The warranty is:

NABCO Entrances Inc. will exchange or repair, F.O.B. the NABCO Entrances Inc. plant any unit component found defective in workmanship and/or material, subject to NABCO inspection, for a period of one (1) year from date of installation. Warranty does not include field service labor. The installing contractor/distributor shall be responsible for installation and field service.

This warranty does not cover loss or damages resulting from causes beyond the manufacturer's control, or misuse, neglect, accident, wind storm, acts of terrorism or acts of God. Warranty is for normal use and service. The warranty will not apply for equipment which has been repaired or altered so as to adversely affect conditions of operation. Warranty will not obligate NABCO for damages resulting from such alterations, misuse, neglect, terrorism or acts of God.