



TRIPODS TURNSTILE

TP-92 is made with materials that give this product a great resistance to the environmental agents. The utilisation of stainless steel especially guarantees a better resistance against any friction action.

This standard version of TP-92 is made in AISI-304 stainless steel, while we recommend utilising the version in stainless steel AISI 316 for installations in saline surrenders.

This tripod frame does not present any danger for the user also considering that its edges have a well-rounded shape.

By pushing the arm when it is blocked the same arm will release after having received the electrical impulse authorization. After a rotation of 60° it will be possible to come back to the starting position no more, but the rotation action will have to be concluded.

The microprocessor logic with the option of changing the functioning from the console as well is housed in n. 2 cards, respectively a control board and a power supply one.

The power supply cables passage is made from the lower part; the inside of this machine can be easily reached by the panels, through a key.

TP- 92 is supplied into an anti-shock polystyrene packaging and inside a cardboard box.

FEATURES

- Predisposition for insertion of recognition systems such as badge readers, or hand proximity
- Emergency function with free rotation in any direction
- Breach control (optional)
- Lighted LED indicators (optional)
- Emergency pull-down arms (optional)
- Emergency folding arms (optional)
- Command Console (optional)

COMPLIANCE

This product has been manufactured in compliance with the pertinent Italian Directive n. 4962 dated 04/04/12

Compatibility of access/exit devices in compliance with the Italian law D.lgs.81/08. as for the rules foreseen for security protection.

Electrical System

Feed: 220V+/- 10%, 50 Hz.
 Max, absorbed power: 70W
 Functioning temperature: -20°C/ 70°C
 Humidity: 90%
 Shock absorber: hydraulic adjustable

TRIPODS TURNSTILE

Technical features

Structure:

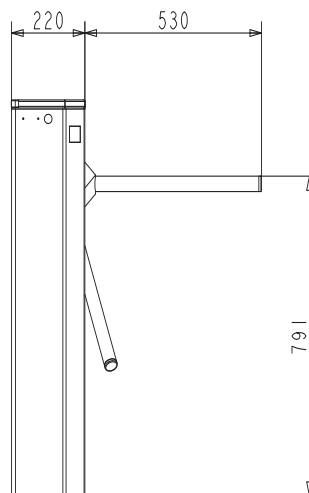
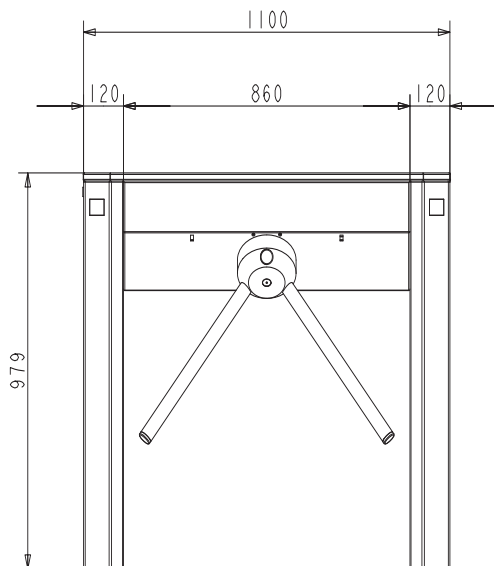
Chassis in stainless steel AI SI 304 or 316

Performance

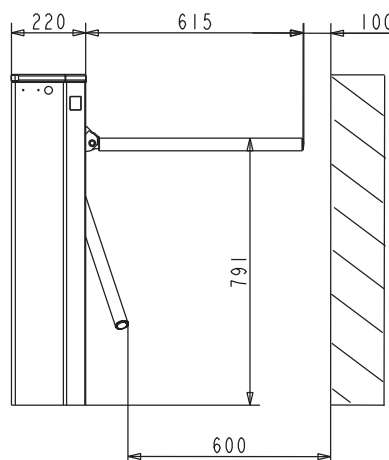
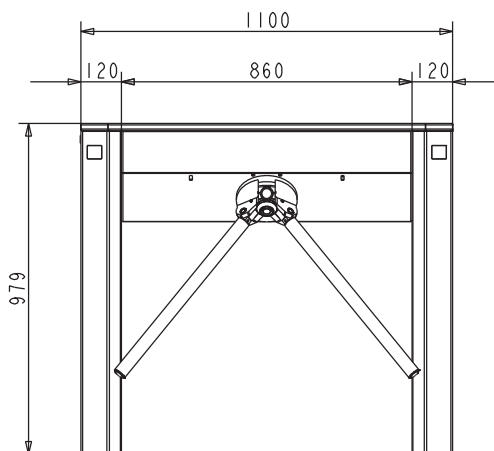
Degree of protection: IP44I, IP65 on request

Weight

62 kg.



FIXED



BREAKING